

WIREMOLD



ECLIPSE™

PN03, PN05, PN10 Series

Small Nonmetallic Raceway Systems


For Communications and Power Applications

The PN03, PN05, and PN10 Series is a family of single compartment raceways for communication or power applications. Ideal for use in classrooms, offices, and hotel applications, or anywhere a small, low profile raceway is needed. Eclipse PN03, PN05, and PN10 Raceways are specifically designed for the workstation. They accept Ortronics® Series II and TracJack® modules, Pass & Seymour Activate Series inserts, and Wiremold Open System communication modules.



Eclipse PN05A08 shown in a horizontal installation.

Features & Benefits

- **Designed for use with Ortronics TracJack and Series II modules.** A wide variety of media interface inserts to ensure a reliable, cost-effective activation for the most demanding communication system designs.
- **PSB3 Device Box accommodates wireless.** Designed for use with Ortronics® Wi-Jack™ Wireless Access Points.
- **Accommodates communication or power wiring.** Can be used for communications, computer lines, surveillance systems, fire alarms, outlets, and more.
- **Raceway available in three sizes.** PN03, PN05, and PN10 sizes provide flexibility for meeting various capacity requirements. Perfect for most small drops and horizontal runs to work stations. PN05 and PN10 are available in both latching and two-piece configurations.
- **Durable, flexible co-extruded hinge construction (on latching profiles).** Allows for repeated openings and closings while maintaining product integrity and aesthetics.
- **Snap-on latching cover.** Provides security with access to wiring for changes or additions.
- **Adhesive backing for low-voltage (under 50V) applications.** Allows base to be pressed onto surface, speeds installation.
- **Lightweight and easy to handle.** Saves time and labor costs. Standard 8' [2.44m] lengths can be easily installed by one person.
- **Built-in wire retainers.** Lay in wires easily without using wire clips. Makes installations quicker and saves both time and labor. Available on PN05A08, PN05A10, PN10A08 and PN10A10 Series.
- **Easy to align.** All base and fittings have unique alignment guides built in to help avoid unsightly gaps and uneven installations. All fitting covers have 1/4" [6.4mm] overlap to hide uneven cuts of raceway.
- **Ceiling fitting slips over suspended ceiling grid.** Saves time and labor by eliminating need to cut metal ceiling grid.
- **1" [25mm] fiber fittings.** Full capacity, aesthetically pleasing fittings provide 1" [25mm] bend radius.
- **Datacom connectivity options.** Accepts industry standard and proprietary devices from a wide range of manufacturers to provide a seamless and aesthetically pleasing communications interface at the point of use.
- **Ratings:** 600VAC, FT-4 Rated for Canada
- **Listed:** c  us

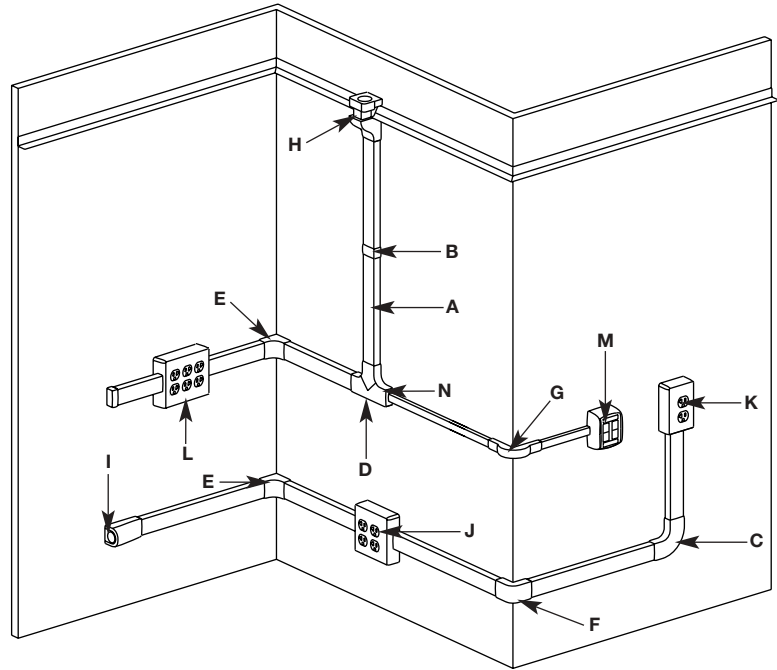


Eclipse PN05L08 shown in typical vertical installations.



PN03, PN05, and PN10 System Layout

- A – PN03L08, PN03L10, PN05A08, PN05A10, PN05L08, PN05L10, PN10A08, PN10A10, PN10L08, PN10L10
- B – PN03F06, PN05F06, PN10F06
- C – PN03F11, PN05F11, PN10F11
- D – PN03F15, PN05F15, PN10F15
- E – PN03F17, PN05F17, PN10F17
- F – PN03F18, PN05F18, PN10F18
- G – PN03F19, PN05F19, PN10F19
- H – PN05F86, PN10F86
- I – PN10F21
- J – PSB2
- K – PSB1
- L – PSB3
- M – PDB1CM, PDB1S2, PDB2TJ, PDB2CM, PDB2S2, PDB4TJ, PBB2S2, PBB4TJ
- N – PN153R



Raceway Profiles

Catalog No./Item	Description/Specifications																					
PN03L08* PN03L10** PN05L08* PN05L10** PN10L08* PN10L10**	<p>One-Piece Raceway – Co-extruded hinged, one-piece raceway.</p> <table border="1"> <thead> <tr> <th>Cat No.</th> <th>A</th> <th>B</th> </tr> </thead> <tbody> <tr> <td>PN03L08</td> <td>1/2" [12.7mm]</td> <td>13/16" [20.6mm]</td> </tr> <tr> <td>PN03L10</td> <td>1/2" [12.7mm]</td> <td>13/16" [20.6mm]</td> </tr> <tr> <td>PN05L08</td> <td>5/8" [15.9mm]</td> <td>1 1/8" [29mm]</td> </tr> <tr> <td>PN05L10</td> <td>5/8" [15.9mm]</td> <td>1 1/8" [29mm]</td> </tr> <tr> <td>PN10L08</td> <td>13/16" [20.6mm]</td> <td>1 11/16" [43mm]</td> </tr> <tr> <td>PN10L10</td> <td>13/16" [20.6mm]</td> <td>1 11/16" [43mm]</td> </tr> </tbody> </table>	Cat No.	A	B	PN03L08	1/2" [12.7mm]	13/16" [20.6mm]	PN03L10	1/2" [12.7mm]	13/16" [20.6mm]	PN05L08	5/8" [15.9mm]	1 1/8" [29mm]	PN05L10	5/8" [15.9mm]	1 1/8" [29mm]	PN10L08	13/16" [20.6mm]	1 11/16" [43mm]	PN10L10	13/16" [20.6mm]	1 11/16" [43mm]
Cat No.	A	B																				
PN03L08	1/2" [12.7mm]	13/16" [20.6mm]																				
PN03L10	1/2" [12.7mm]	13/16" [20.6mm]																				
PN05L08	5/8" [15.9mm]	1 1/8" [29mm]																				
PN05L10	5/8" [15.9mm]	1 1/8" [29mm]																				
PN10L08	13/16" [20.6mm]	1 11/16" [43mm]																				
PN10L10	13/16" [20.6mm]	1 11/16" [43mm]																				

Catalog No./Item	Description/Specifications															
PN05A08* PN05A10** PN10A08* PN10A10**	<p>Raceway Base & Cover – Two-piece raceway base and cover.</p> <table border="1"> <thead> <tr> <th>Cat No.</th> <th>A</th> <th>B</th> </tr> </thead> <tbody> <tr> <td>PN05A08</td> <td>5/8" [15.9mm]</td> <td>1 1/8" [29mm]</td> </tr> <tr> <td>PN05A10</td> <td>5/8" [15.9mm]</td> <td>1 1/8" [29mm]</td> </tr> <tr> <td>PN10A08</td> <td>13/16" [20.6mm]</td> <td>1 11/16" [43mm]</td> </tr> <tr> <td>PN10A10</td> <td>13/16" [20.6mm]</td> <td>1 11/16" [43mm]</td> </tr> </tbody> </table>	Cat No.	A	B	PN05A08	5/8" [15.9mm]	1 1/8" [29mm]	PN05A10	5/8" [15.9mm]	1 1/8" [29mm]	PN10A08	13/16" [20.6mm]	1 11/16" [43mm]	PN10A10	13/16" [20.6mm]	1 11/16" [43mm]
Cat No.	A	B														
PN05A08	5/8" [15.9mm]	1 1/8" [29mm]														
PN05A10	5/8" [15.9mm]	1 1/8" [29mm]														
PN10A08	13/16" [20.6mm]	1 11/16" [43mm]														
PN10A10	13/16" [20.6mm]	1 11/16" [43mm]														

* Add "-WH" suffix for White finish, "-FW" for Fog White finish or "-V" for Ivory finish.
 ** 10' [3.05m] lengths available in Fog White finish only.

Communication Boxes

Catalog No./Item	Description/Specifications		Catalog No./Item	Description/Specifications	
PBB2S2	<p>Bezel Box – Surface mount box for use with Eclipse Raceway or standalone application. Accepts two front-loaded outward facing devices.</p> <ul style="list-style-type: none"> • Ortronics Series II 	<div style="text-align: right;"> <div style="background-color: #0056b3; color: white; padding: 2px; margin-bottom: 2px;">ORT</div> <div style="background-color: #cccccc; padding: 2px; margin-bottom: 2px;">P&S</div> <div style="background-color: #0056b3; color: white; padding: 2px;">OPEN</div> </div>	PDB2CM	<p>Large Data Box – Surface mount box for use with Eclipse Raceway or standalone application. Accepts two front-loaded downward facing devices.</p> <ul style="list-style-type: none"> • Pass & Seymour Activate Series inserts • Wiremold Open System communication modules 	<div style="text-align: right;"> <div style="background-color: #0056b3; color: white; padding: 2px; margin-bottom: 2px;">ORT</div> <div style="background-color: #cccccc; padding: 2px; margin-bottom: 2px;">P&S</div> <div style="background-color: #0056b3; color: white; padding: 2px;">OPEN</div> </div>
PBB4TJ	<p>Bezel Box – Surface mount box for use with Eclipse Raceway or standalone application. Accepts four front-loaded outward facing devices.</p> <ul style="list-style-type: none"> • Ortronics TracJack 	<div style="text-align: right;"> <div style="background-color: #0056b3; color: white; padding: 2px; margin-bottom: 2px;">ORT</div> <div style="background-color: #cccccc; padding: 2px; margin-bottom: 2px;">P&S</div> <div style="background-color: #0056b3; color: white; padding: 2px;">OPEN</div> </div>	PDB2S2	<p>Large Data Box – Surface mount box for use with Eclipse Raceway or standalone application. Accepts two front-loaded downward facing devices.</p> <ul style="list-style-type: none"> • Ortronics Series II 	<div style="text-align: right;"> <div style="background-color: #0056b3; color: white; padding: 2px; margin-bottom: 2px;">ORT</div> <div style="background-color: #cccccc; padding: 2px; margin-bottom: 2px;">P&S</div> <div style="background-color: #0056b3; color: white; padding: 2px;">OPEN</div> </div>
PDB1S2	<p>Small Data Box – Surface mount box for use with Eclipse Raceway or standalone application. Accepts one front-loaded downward facing device.</p> <ul style="list-style-type: none"> • Ortronics Series II 	<div style="text-align: right;"> <div style="background-color: #0056b3; color: white; padding: 2px; margin-bottom: 2px;">ORT</div> <div style="background-color: #cccccc; padding: 2px; margin-bottom: 2px;">P&S</div> <div style="background-color: #0056b3; color: white; padding: 2px;">OPEN</div> </div>	PDB2TJ	<p>Small Data Box – Surface mount box for use with Eclipse Raceway or standalone application. Accepts two front-loaded downward facing devices.</p> <ul style="list-style-type: none"> • Ortronics TracJack 	<div style="text-align: right;"> <div style="background-color: #0056b3; color: white; padding: 2px; margin-bottom: 2px;">ORT</div> <div style="background-color: #cccccc; padding: 2px; margin-bottom: 2px;">P&S</div> <div style="background-color: #0056b3; color: white; padding: 2px;">OPEN</div> </div>
PDB1CM	<p>Small Data Box – Surface mount box for use with Eclipse Raceway or standalone application. Accepts one front-loaded downward facing device.</p> <ul style="list-style-type: none"> • Pass & Seymour Activate Series inserts • Wiremold Open System communication modules 	<div style="text-align: right;"> <div style="background-color: #0056b3; color: white; padding: 2px; margin-bottom: 2px;">ORT</div> <div style="background-color: #0056b3; color: white; padding: 2px; margin-bottom: 2px;">P&S</div> <div style="background-color: #0056b3; color: white; padding: 2px;">OPEN</div> </div>	PDB4TJ	<p>Large Data Box – Surface mount box for use with Eclipse Raceway or standalone application. Accepts four front-loaded downward facing devices.</p> <ul style="list-style-type: none"> • Ortronics TracJack 	<div style="text-align: right;"> <div style="background-color: #0056b3; color: white; padding: 2px; margin-bottom: 2px;">ORT</div> <div style="background-color: #cccccc; padding: 2px; margin-bottom: 2px;">P&S</div> <div style="background-color: #0056b3; color: white; padding: 2px;">OPEN</div> </div>

NOTE: Add -"WH" suffix for White finish, -"FW" for Fog White finish or -"V" for Ivory finish.